

1:1 Print! Check dimension by controlling the gauge!

# KiCAD Footprints of some CHK transformers from the file Printtrafo\_CHK\_RevA\_04Aug2010.mod

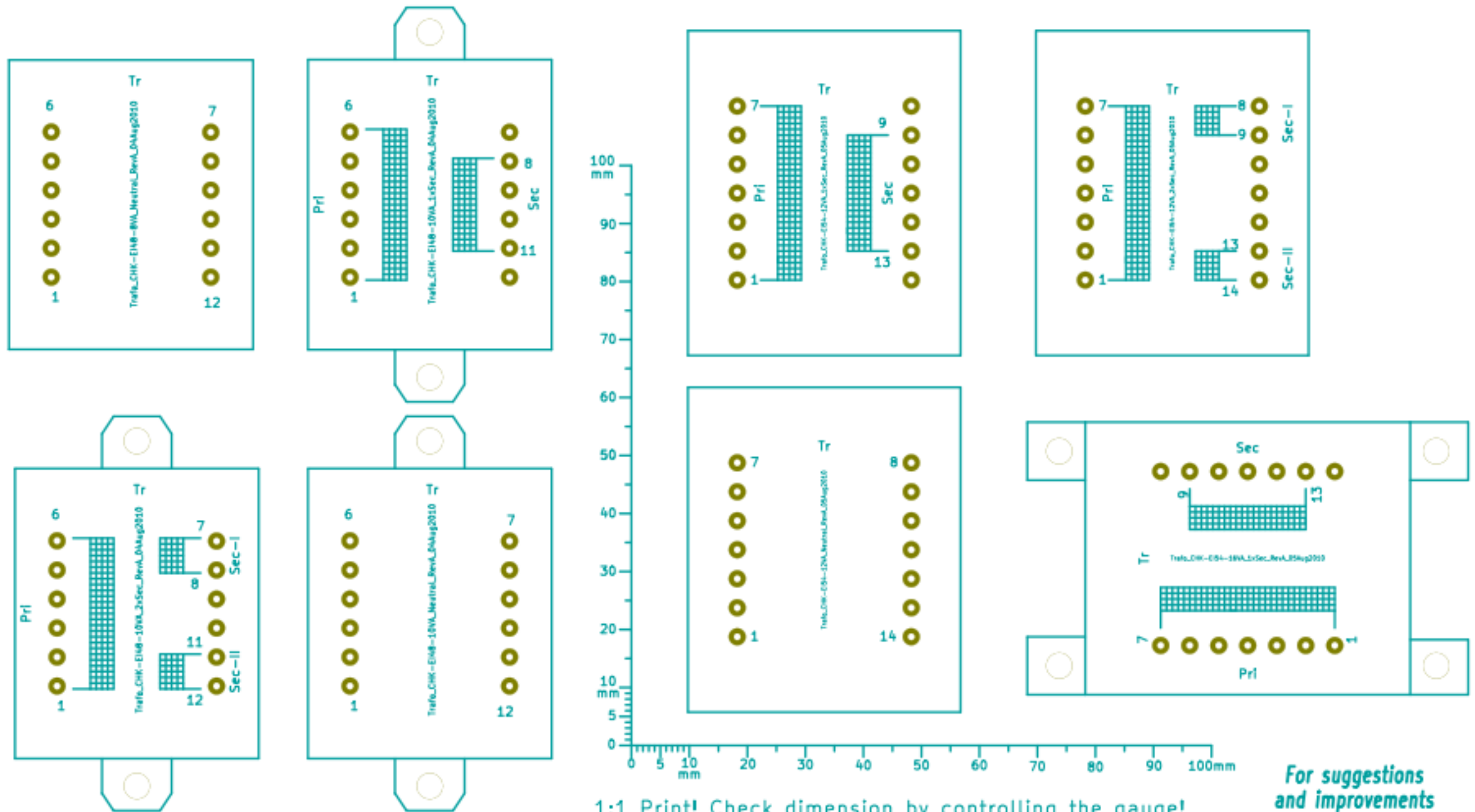
Author: Bernd Wiebus / Udem / Germany / 04th August 2010

Licence: CC-Zero / Public Domain  
NO RESTRICTION ! NO WARRANTY!  
<http://creativecommons.org/>

For suggestions  
and improvements  
please contact  
me at  
[bernd.wiebus@gmx.de](mailto:bernd.wiebus@gmx.de)



File: Printtrafo_CHK_Part1_RevA_04Aug2010.kicad_pcb		
Sheet:		
Title:		
Size: A4	Date: 5 Jun 2013	Rev:
KiCad E.D.A.		Id: 1/1



1:1 Print! Check dimension by controlling the gauge!

### KiCAD Footprints of some CHK transformers from the file Printrafo\_CHK\_RevA\_04Aug2010.mod

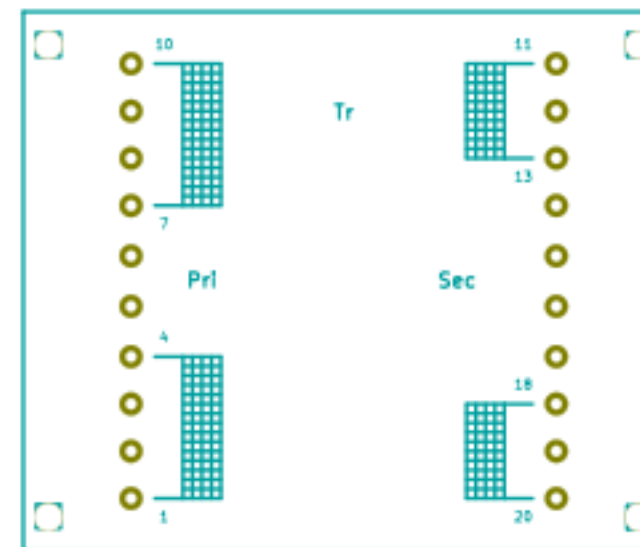
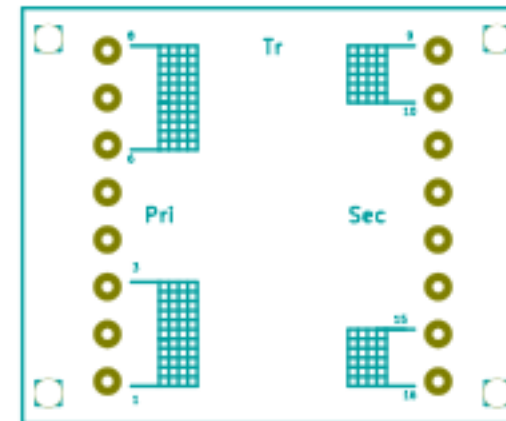
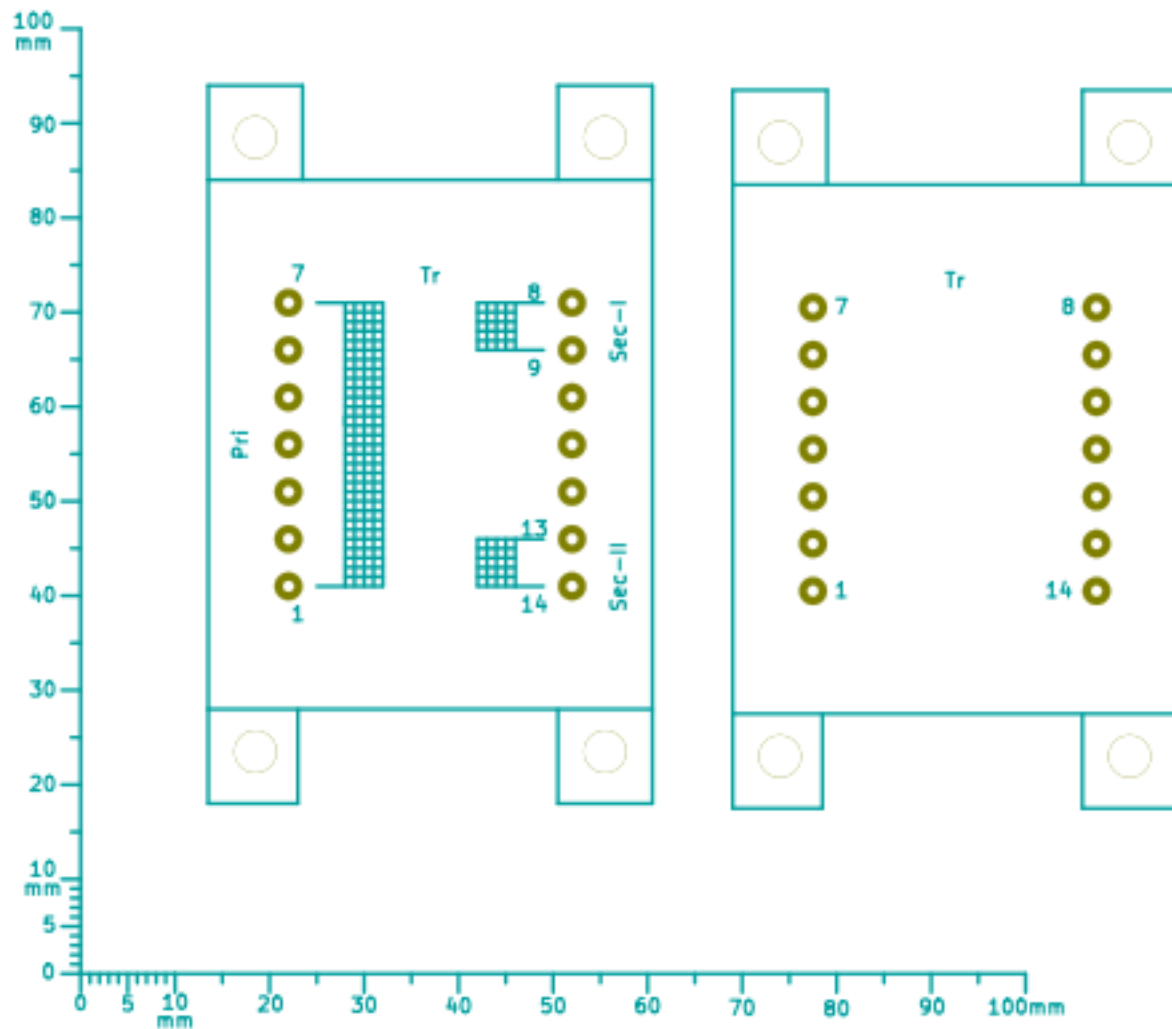
Author: Bernd Wiebus / Udem / Germany / 04th August 2010

Licence: CC-Zero / Public Domain  
**NO RESTRICTION ! NO WARRANTY!**  
<http://creativecommons.org/>

*For suggestions  
and improvements  
please contact  
me at  
[bernd.wiebus@gmx.de](mailto:bernd.wiebus@gmx.de)*



File: Printrafo_CHK_Part2_RevA_04Aug2010.kicad_pcb		
Sheet:		
Title:		
Size: A4	Date: 5 Jun 2013	Rev:
KiCad E.D.A.		Id: 1/1



1:1 Print! Check dimension by controlling the gauge!

KiCAD Footprints of some CHK transformers from the file  
 Printrafo\_CHK\_RevA\_04Aug2010.mod

Author: Bernd Wiebus / Udem / Germany / 04th August 2010

Licence: CC-Zero / Public Domain  
 NO RESTRICTION ! NO WARRANTY!  
<http://creativecommons.org/>

*For suggestions  
 and improvements  
 please contact  
 me at  
 bernd.wiebus@gmx.de*



File: Printrafo_CHK_Part3_RevA_04Aug2010.kicad_pcb		
Sheet:		
Title:		
Size: A4	Date: 5 Jun 2013	Rev:
KiCad E.D.A.		Id: 1/1