

# Katalog über Kicad Building Blocks

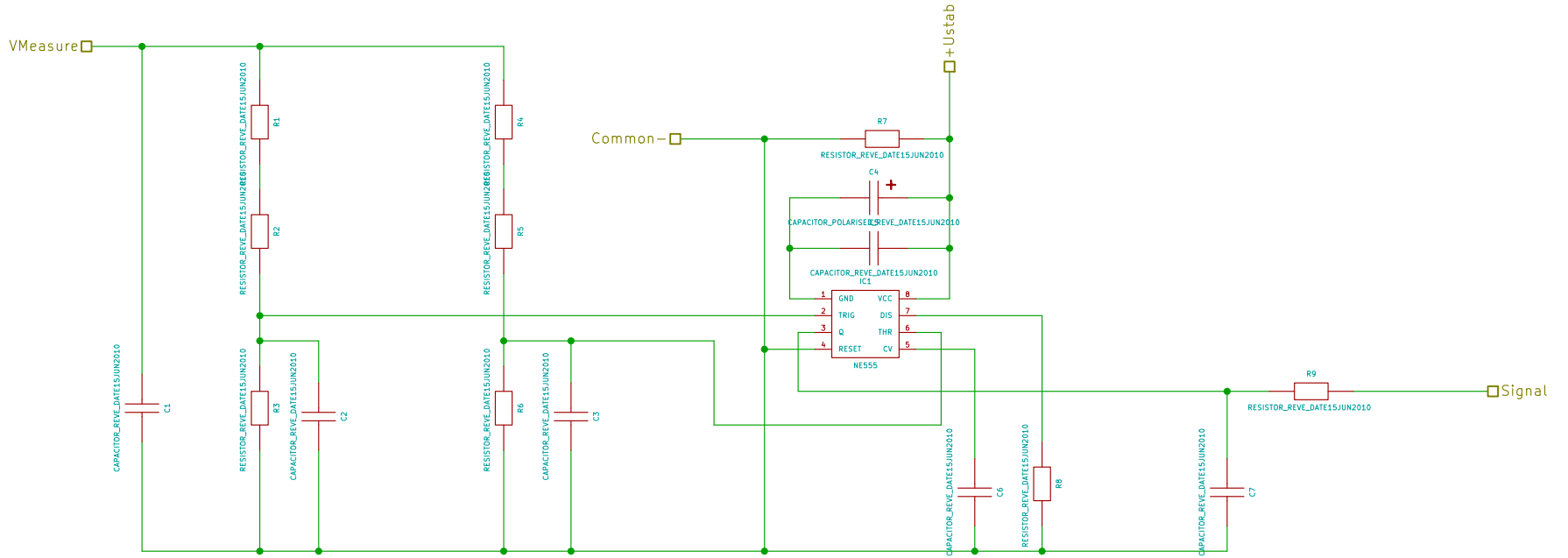
Autor: Bernd Wiebus / Udem / 21. April 2013

Für Vorschläge  
und Verbesserungen  
kontaktieren Sie  
mich bitte unter  
[bernd.wiebus@gmx.de](mailto:bernd.wiebus@gmx.de)



Licence: CC-Zero / Public Domain!

File: Deckblatt_21Apr2013.sch		
Sheet: /		
Title:		
Size: A4	Date: 21 apr 2013	Rev:
KiCad E.D.A.		Id: 1/1



Author: Bernd Wiebus, Udem / Germany 19th. April 2011

File: 555-TwoPointRegulator-BuildingBlock\_RevB\_19Apr2011.sch

Sheet: /

Title: Two Point Regulator with 555 Rev.B 19Apr2011

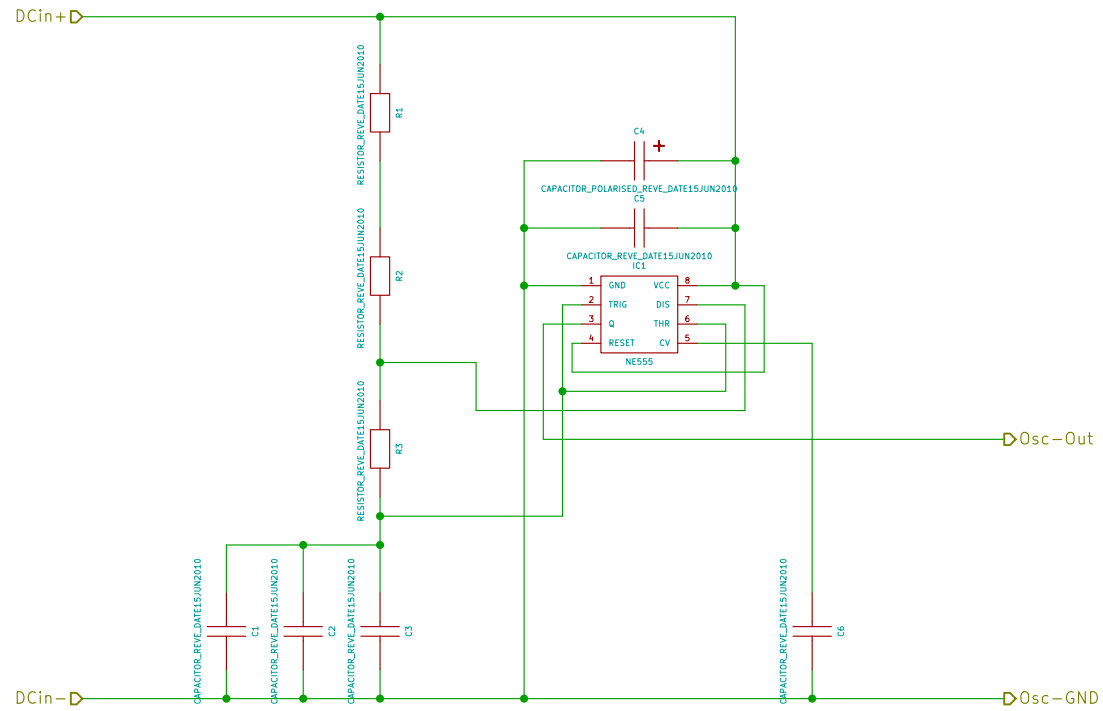
Size: A4

Date: 19 apr 2011

Rev:

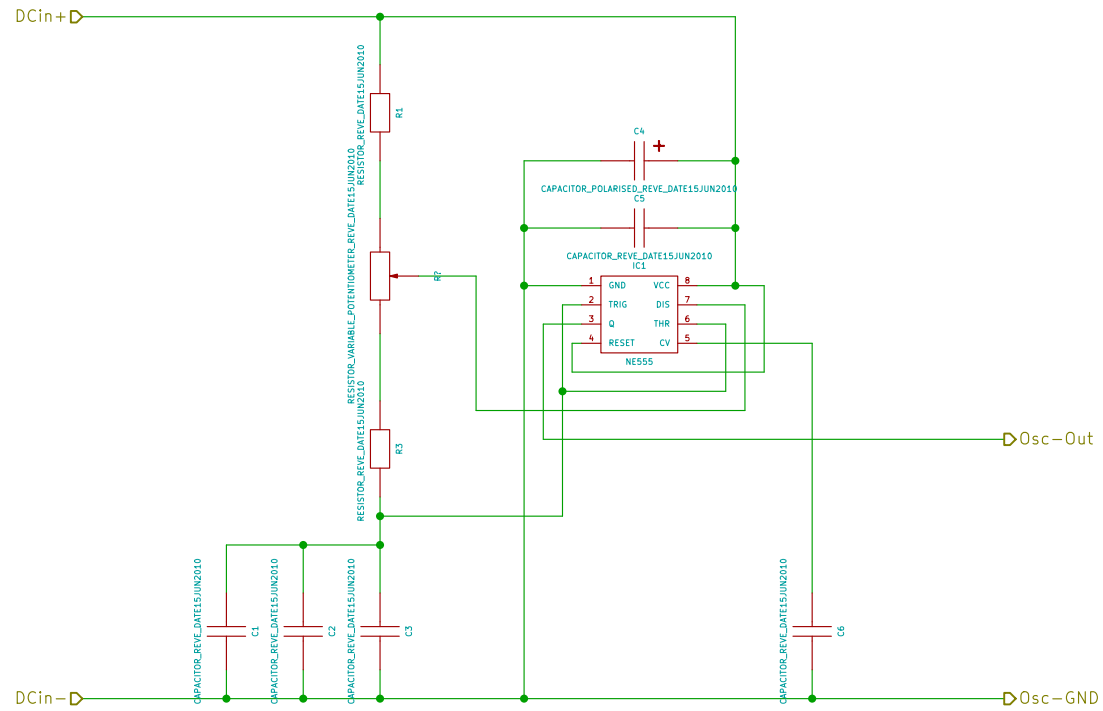
KiCad E.D.A.

Id: 1/1



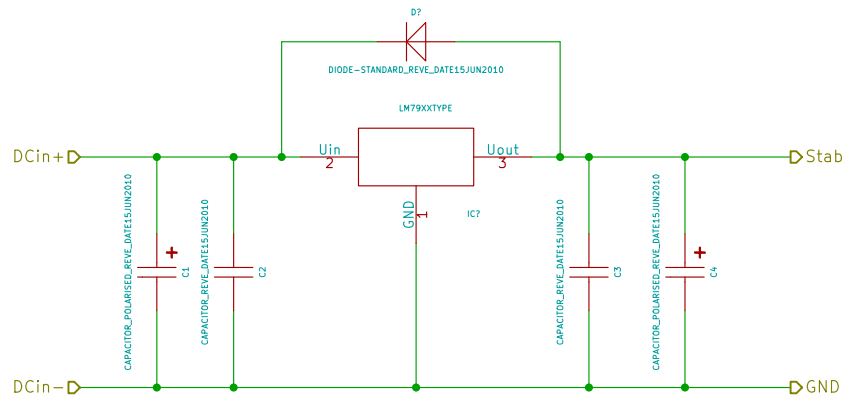
Author: Bernd Wiebus, Udem / Germany, 19th. April 2011

File: 555-Oscillator-Standard-BuildingBlock_RevB_19Apr2011.sch	
Sheet: /	
Title: 555 Oscillator Standart Rev.B 19Apr2011	
Size: A4	Date: 19 apr 2011
KiCad E.D.A.	Rev: 1/1



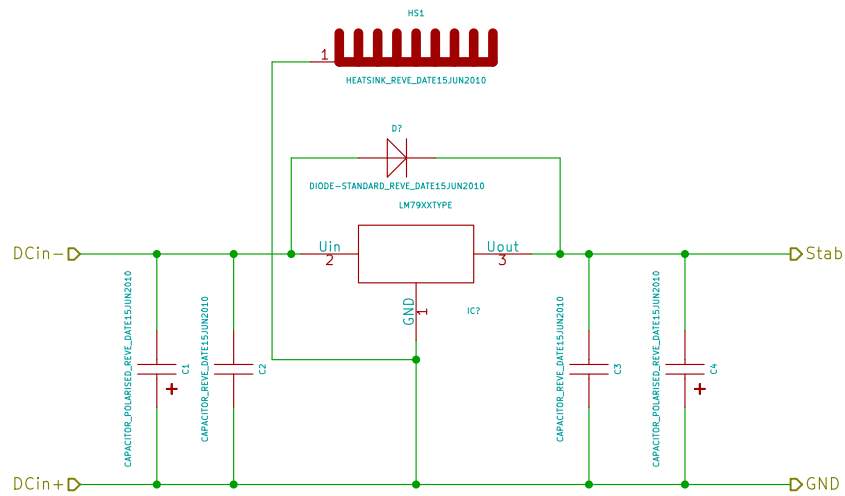
Author: Bernd Wiebus, Udem / Germany, 19th. April 2011

File: 555-Oscillator-Adjustable-BuildingBlock_RevB_19Apr2011.sch	
Sheet: /	
Title: 555 Oscillator Adjustable Rev.B 19Apr2011	
Size: A4	Date: 19 apr 2011
KiCad E.D.A.	Rev: Id: 1/1



Author: Bernd Wiebus, Uedem / Germany, 19th. Apr 2011

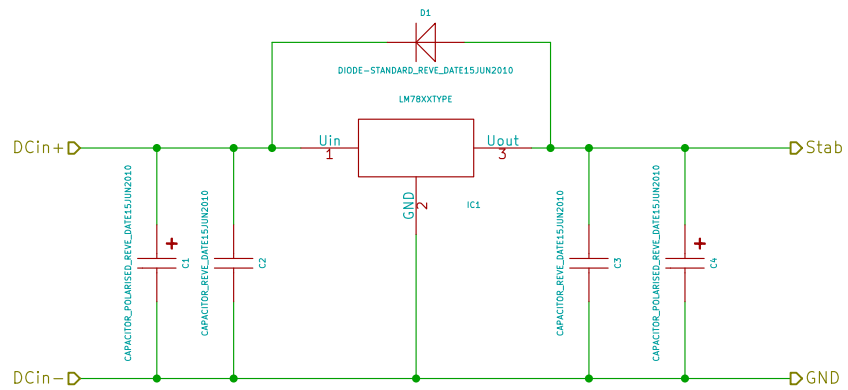
File: 79xx-Regler-BuildingBlock_ModB_RevA.sch	
Sheet: /	
Title: 79xx Type Regulator, Mod.B, Rev.A 19Apr2011	
Size: A4	Date: 21 apr 2013
KiCad E.D.A.	Rev: Id: 1/1



Author: Bernd Wiebus, Uedem / Germany, 19th. April 2011



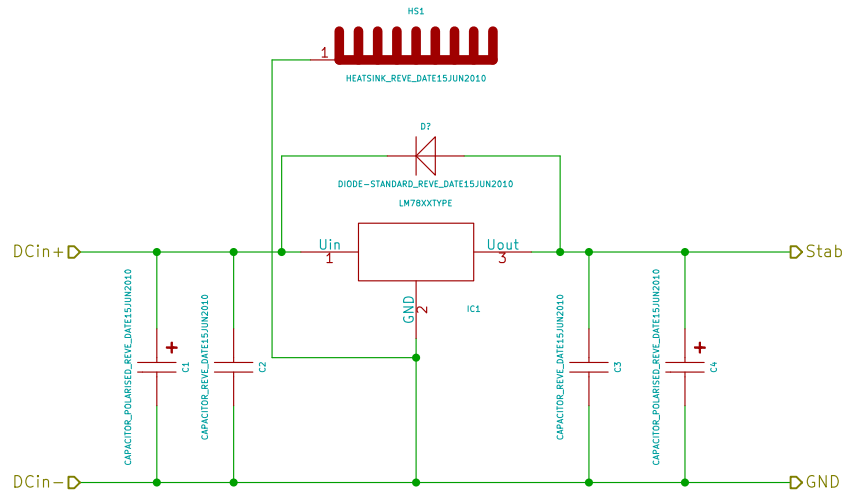
File: 79xx-Regler-BuildingBlock_ModA_RevA.sch	
Sheet: /	
Title: <b>79xx Type Regulator, Mod.A, Rev.A 19Apr2011</b>	
Size: A4	Date: 21 apr 2013
KiCad E.D.A.	Rev: /
	Id: 1/1



Author: Bernd Wiebus, Uedem / Germany, 19 April 2011



File: 78xx-Regler-BuildingBlock_ModB_RevA.sch	
Sheet: /	
Title: 78xx Type Regulator, Mod.B, Rev.A 19Apr2011	
Size: A4	Date: 19 apr 2011
KiCad E.D.A.	Rev: Id: 1/1

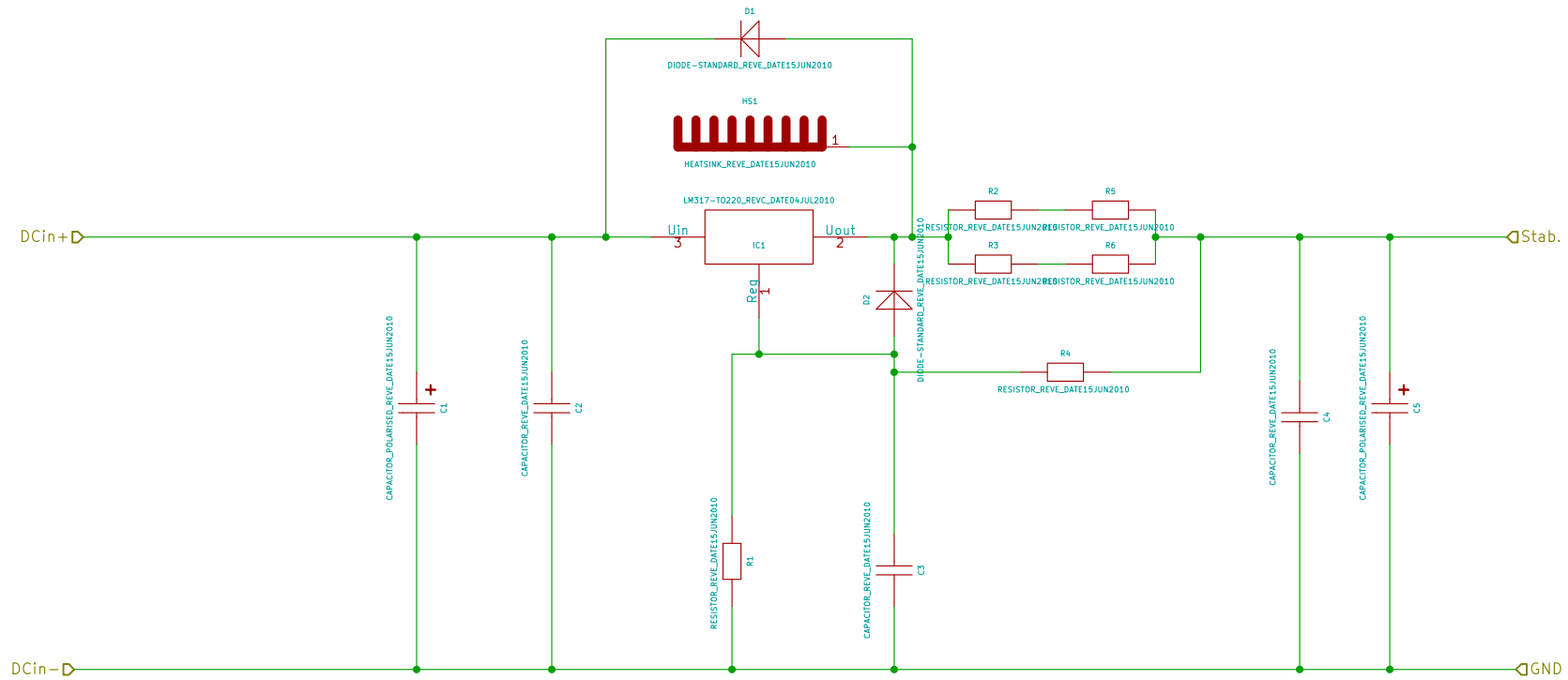


Author: Bernd Wiebus, Uedem / Germany, 19 April 2011



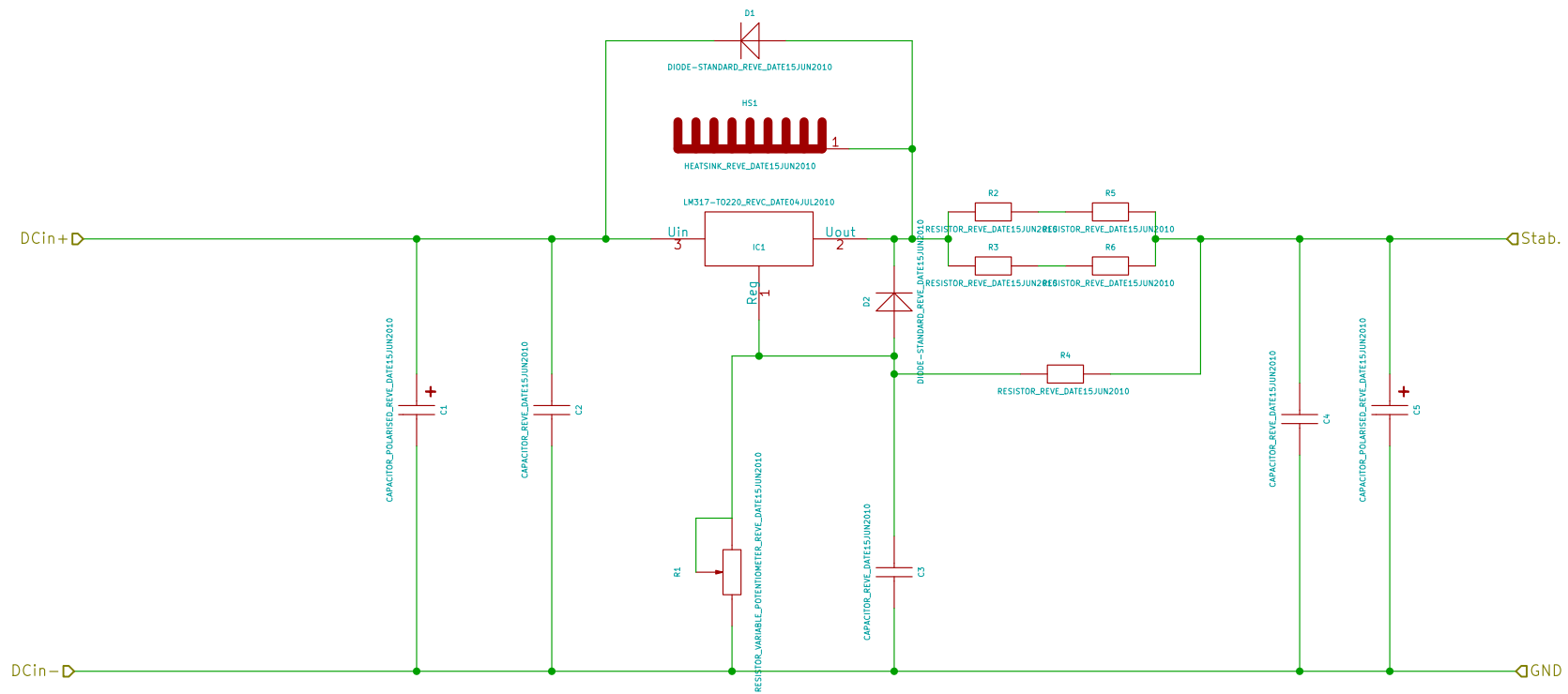
File: 78xx-Regler-BuildingBlock_ModA_RevA.sch	
Sheet: /	
Title: 78xx Type Regulator, Mod.A, Rev.A 13Apr2011	
Size: A4	Date: 19 apr 2011
KiCad E.D.A.	Rev: Id: 1/1





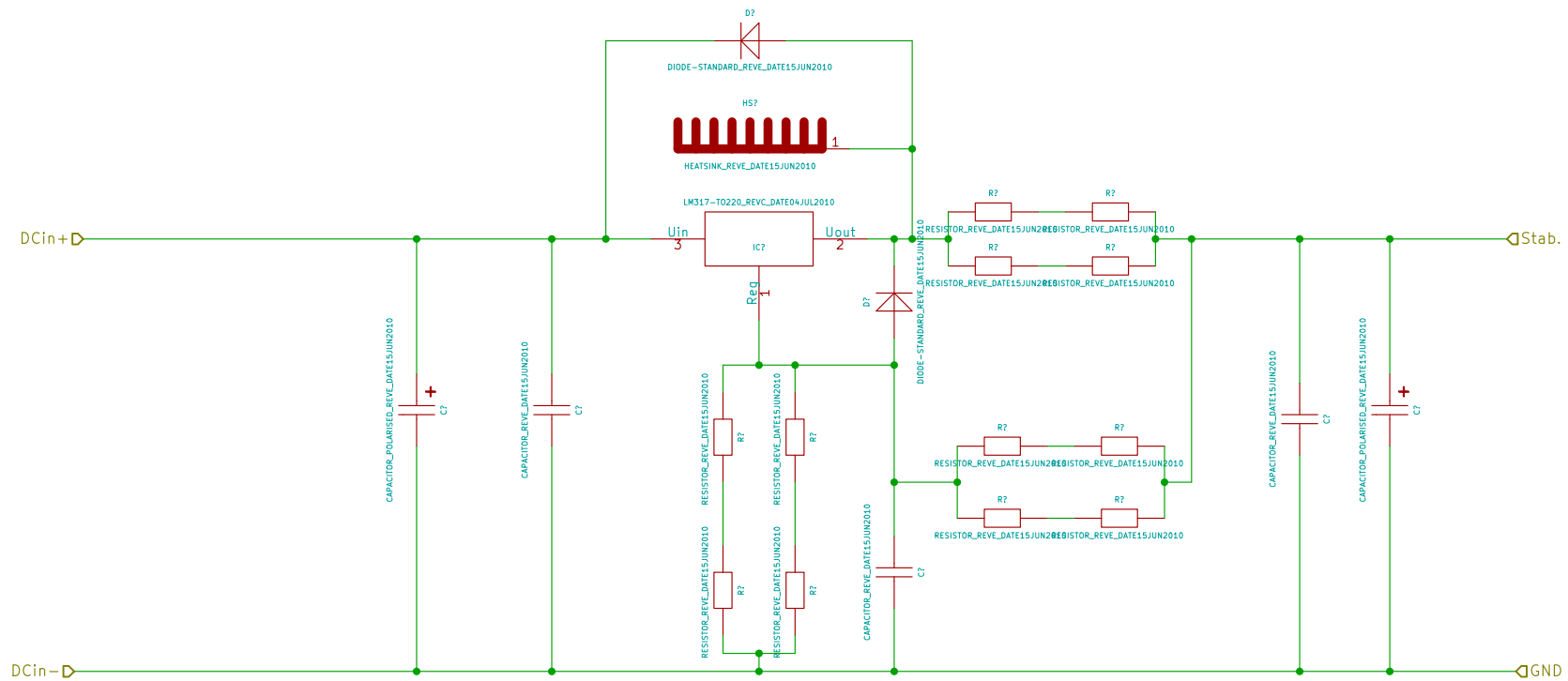
Author: Bernd Wiebus, Udem / Germany, 19th. April 2011

File: 317Regler-BuildingBlock-ModH_RevC_19Apr2011.sch		
Sheet: /		
Title: 317 Type Regulator Building Block Mod.H Rev.C 19Apr2011		
Size: A4	Date: 19 apr 2011	Rev:
KiCad E.D.A.		Id: 1/1



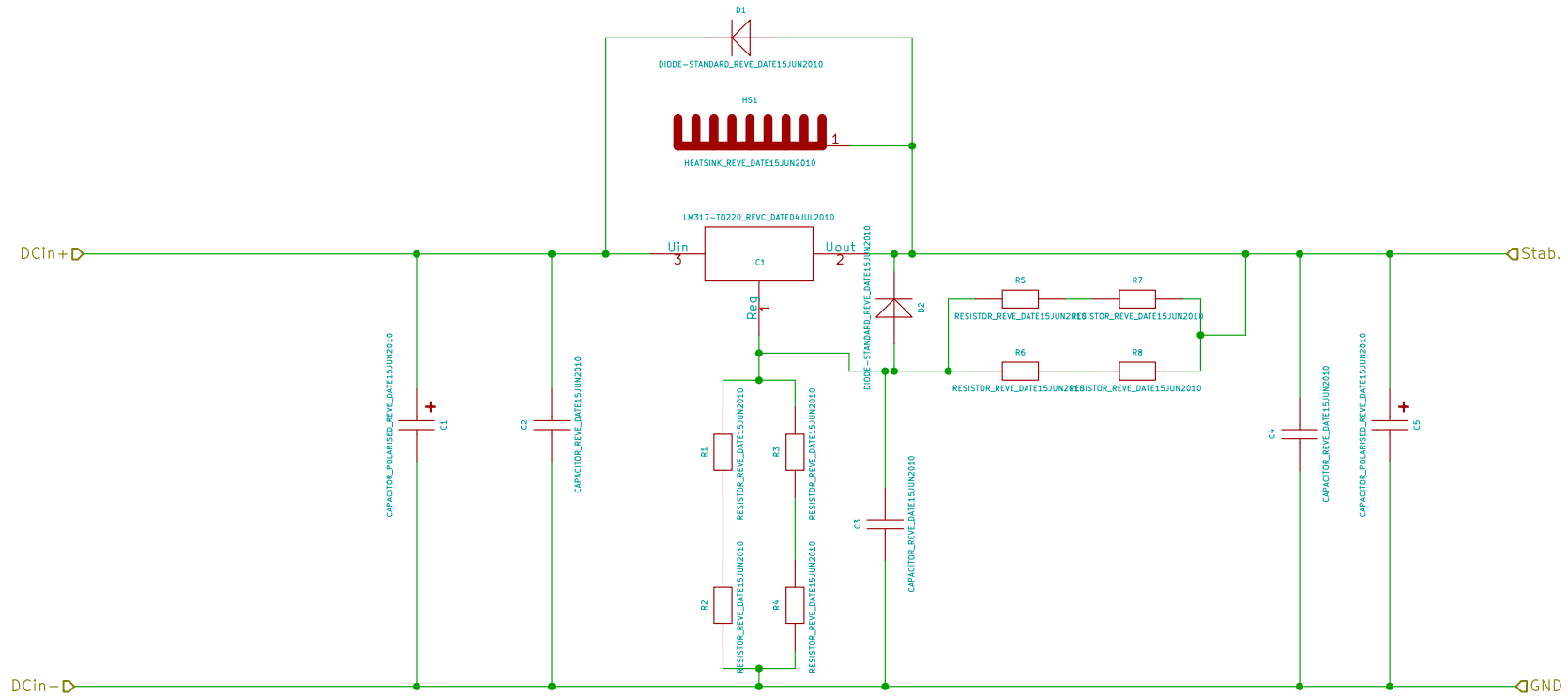
Author: Bernd Wiebus, Udem / Germany, 19th. April 2011

File: 317Regler-BuildingBlock-ModG_RevC_19Apr2011.sch	
Sheet: /	
Title: 317 Type Regulator Building Block Mod.G Rev.C 19Apr2011	
Size: A4	Date: 19 apr 2011
KiCad E.D.A.	Rev: 1/1



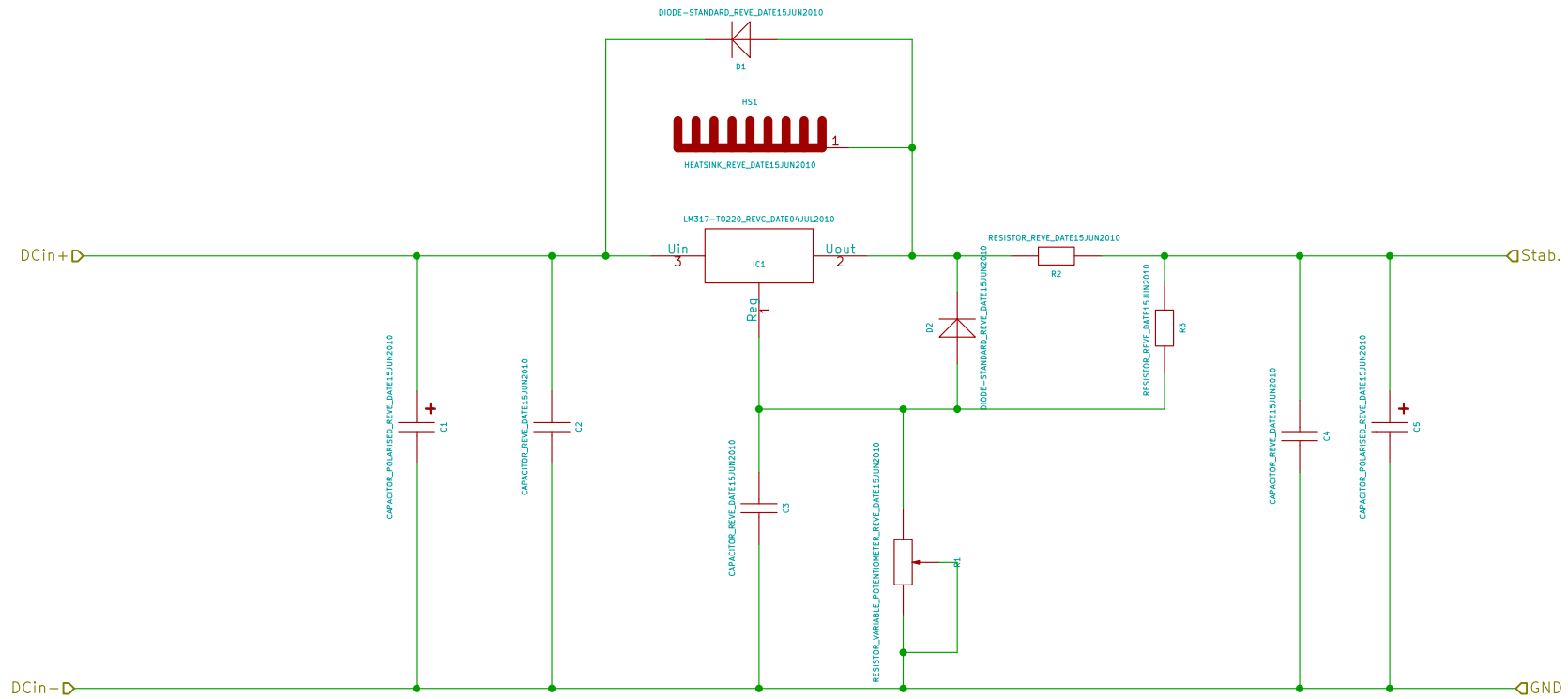
Author: Bernd Wiebus, Udem / Germany, 13th. April 2011

File: 317Regler-BuildingBlock-ModF_RevC_19Apr2011.sch	
Sheet: /	
Title: 317 Type Regulator Building Block Mod.F Rev.C 13Apr2011	
Size: A4	Date: 19 apr 2011
KiCad E.D.A.	Rev: Id: 1/1



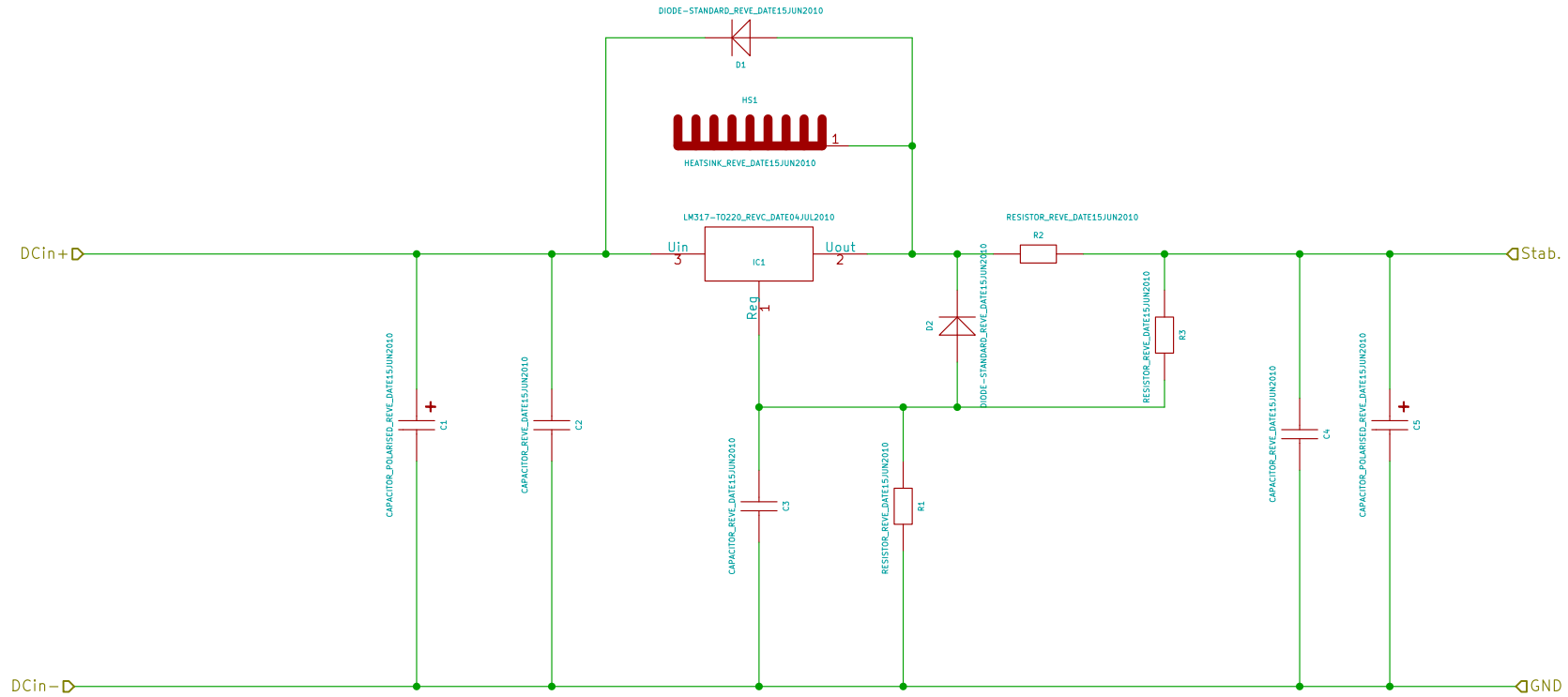
Author: Bernd Wiebus, Uedem / Germany, 19th. April 2011

File: 317Regler-BuildingBlock-ModE_RevC_19Apr2011.sch	
Sheet: /	
Title: 317 Type Regulator Building Block Mod.E Rev.C 19Apr2011	
Size: A4	Date: 19 apr 2011
KiCad E.D.A.	Rev: Id: 1/1



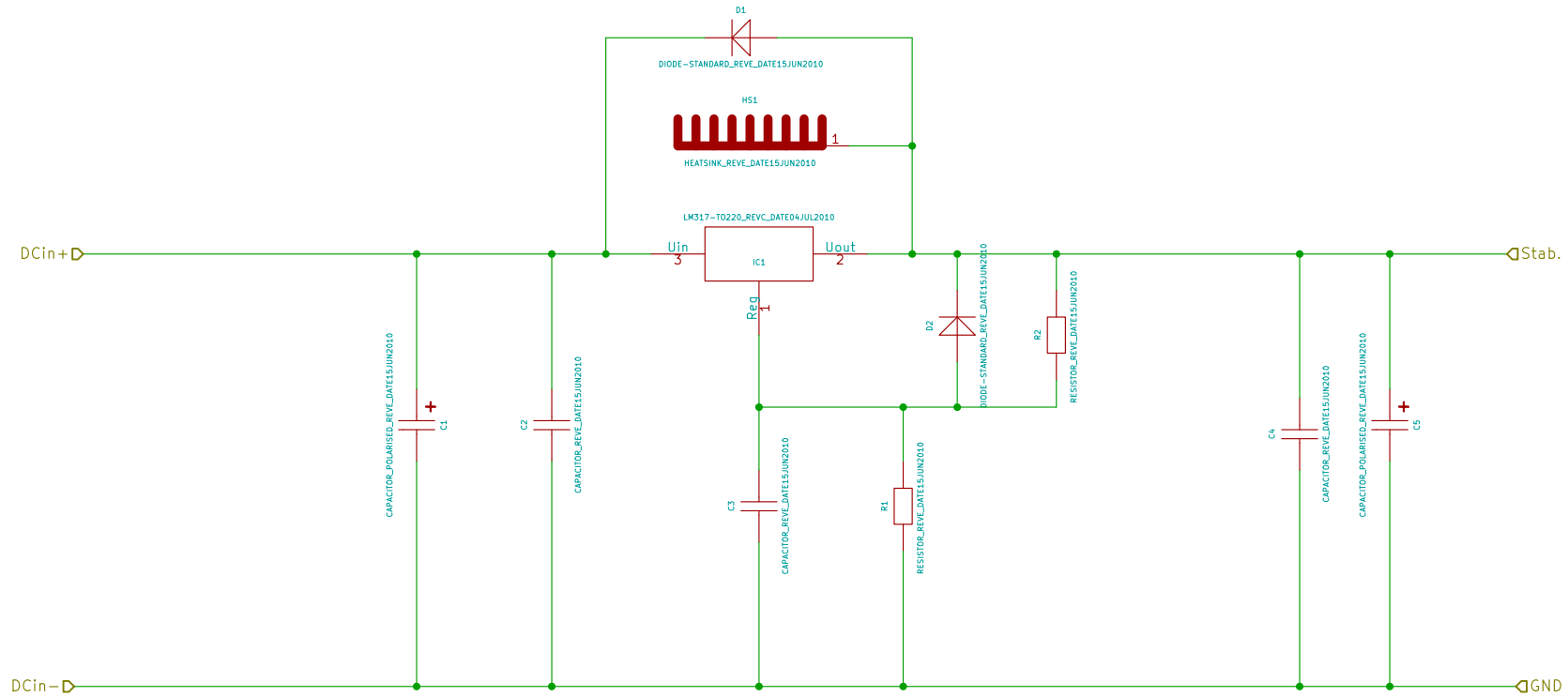
Author: Bernd Wiebus, Uedem /Germany, 19th April 2011

File: 317Regulator-BuildingBlock-ModD_RevC_19Apr2011.sch	
Sheet: /	
Title: 317 Type Regulator Building Block Mod.D Rev.C 19Apr2011	
Size: A4	Date: 19 apr 2011
KiCad E.D.A.	Rev: 1/1



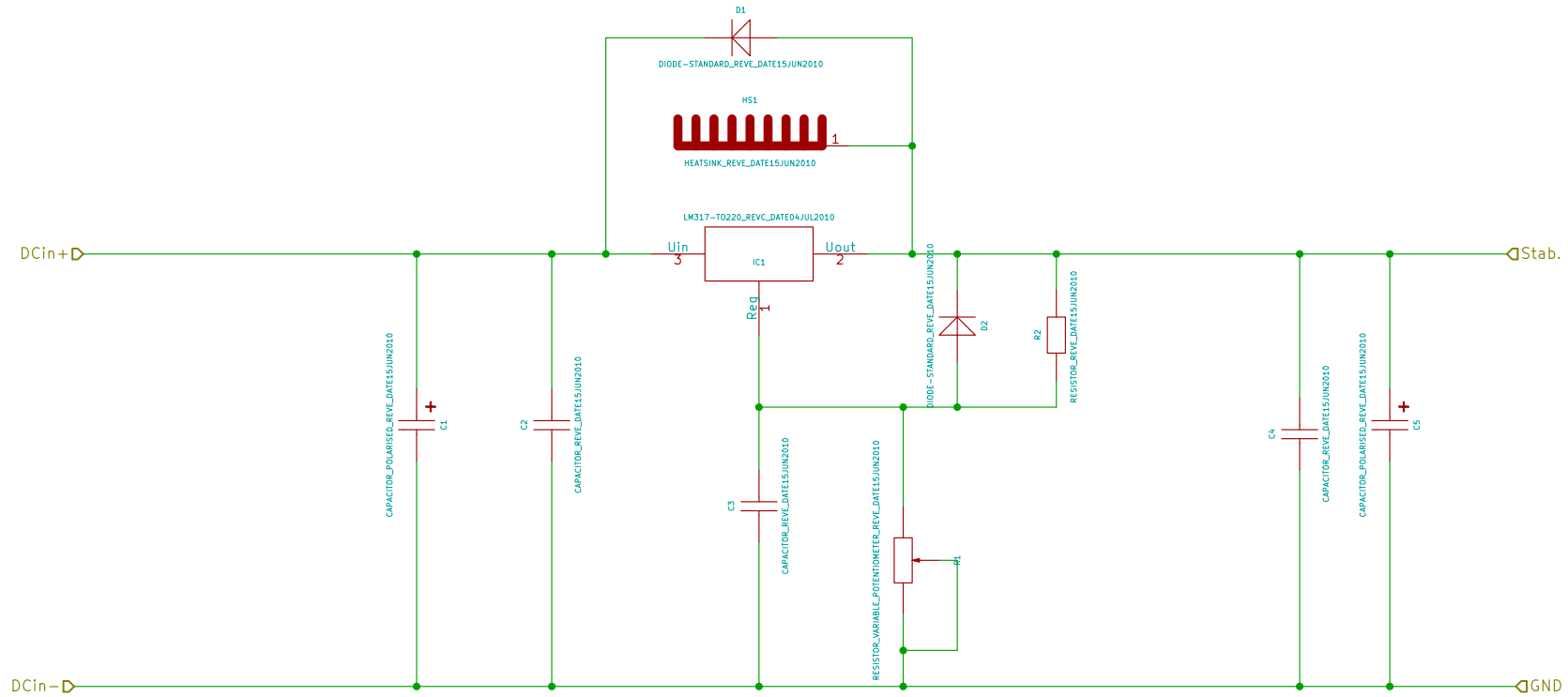
Author: Bernd Wiebus, Udem /Germany, 19th April 2011

File: 317Regulator-BuildingBlock-ModC_RevC_19Apr2011.sch	
Sheet: /	
Title: 317 Type Regulator Building Block Mod.C Rev.C 04Jul2010	
Size: A4	Date: 21 apr 2013
KiCad E.D.A.	Rev: Id: 1/1



Author: Bernd Wiebus, Uedem /Germany, 19th April 2011

File: 317Regulator-BuildingBlock-ModA_RevC_19Apr2011.sch	
Sheet: /	
Title: 317 Type Regulator Building Block Mod.A Rev.C 19Apr2011	
Size: A4	Date: 19 apr 2011
KiCad E.D.A.	Rev: Id: 1/1



Author: Bernd Wiebus, Uedem /Germany, 19th April 2011

File: 317Regulator-BuildingBlock-ModB_RevC_19Apr2011.sch	
Sheet: /	
Title: 317 Type Regulator Building Block Mod.B Rev.C 19Apr2011	
Size: A4	Date: 19 apr 2011
KiCad E.D.A.	Rev: Id: 1/1